

► **Code Number**

3918254

► **Description**

Exposed, Solenoid Activated Royal<sup>®</sup> Model Urinal Flushometer for floor mounted or wall hung top spud urinal fixtures. Model "ES" Flushometers are activated remotely by an electric push button (not included). Royal "ES" Flushometers offer solutions for installations that require automatic, remote or other Flushometer control requirements.

► **Flush Cycle**

- Model 603-1.6 ES 24V Low Consumption (1.6 gpf/6.0 Lpf)

► **Specifications**

Quiet, concealed, diaphragm-type, rough brass closet flushometer for either left or right hand supply with the following features:

- 24 VAC 50/60 Hz non-hold-open integral solenoid operator
- High Back Pressure Vacuum Breaker
- PERMEX<sup>®</sup> Synthetic Rubber Diaphragm with Dual Filtered Fixed Bypass
- Infrared Sensor with Multiple-focused, Lobular Sensing Fields for high and low target detection
- No External Volume Adjustment to Ensure Water Conservation
- Concealed electronic operated, diaphragm type, rough brass closet flushometer
- User friendly three (3) second Flush Delay and Non-Hold-Open Integral Solenoid Operator
- Diaphragm, stop seat and vacuum breaker sack made from Permex<sup>®</sup> rubber compound for chloramines resistance
- 1 I.P.S. Wheel handle Bak-Check<sup>®</sup> angle stop
- Elbow Flush Connection and Coupling for 1½" NPT Back Inlet (for connection in the pipe chase — flush connection through the wall not provided by Sloan)

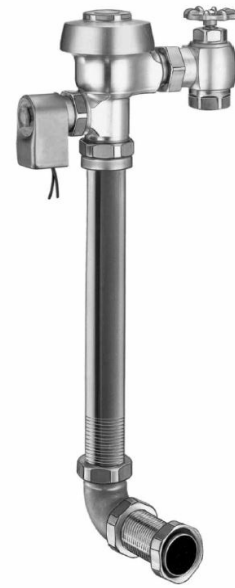
Valve Body, Cover, Tailpiece and Control Stop shall be in conformance with ASTM Alloy Classification for Semi-Red Brass. Valve shall be in compliance to the applicable sections of ASSE 1037, ANSI/ASME A112.19.2.

► **Wall Thickness**

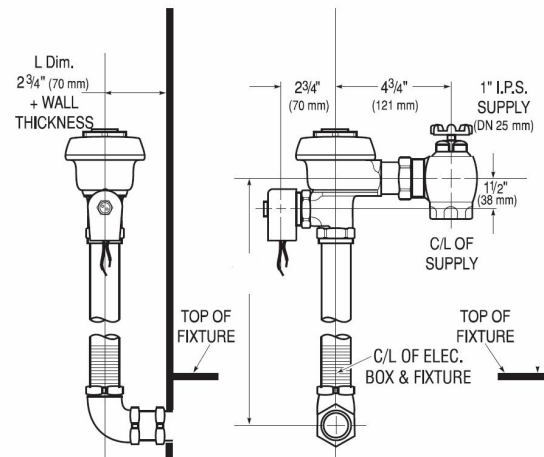
Specify wall thickness for proper length of flush connection for china fixtures. A 3-1/4" flush connection is supplied for stainless steel fixtures.

► **Accessories**

Specify wall thickness for proper length of flush connection for china fixtures. A 3 ¼" flush connection is supplied for stainless steel fixtures.



3-1/4" (83mm) LONG FLUSH TUBE FOR CONNECTION BEHIND WALL. CONNECTION THROUGH WALL NOT SUPPLIED BY PWT ON STAINLESS STEEL FIXTURES.



► **Compliance**



**Made In The  
USA**



This space for Architect/Engineer Approval